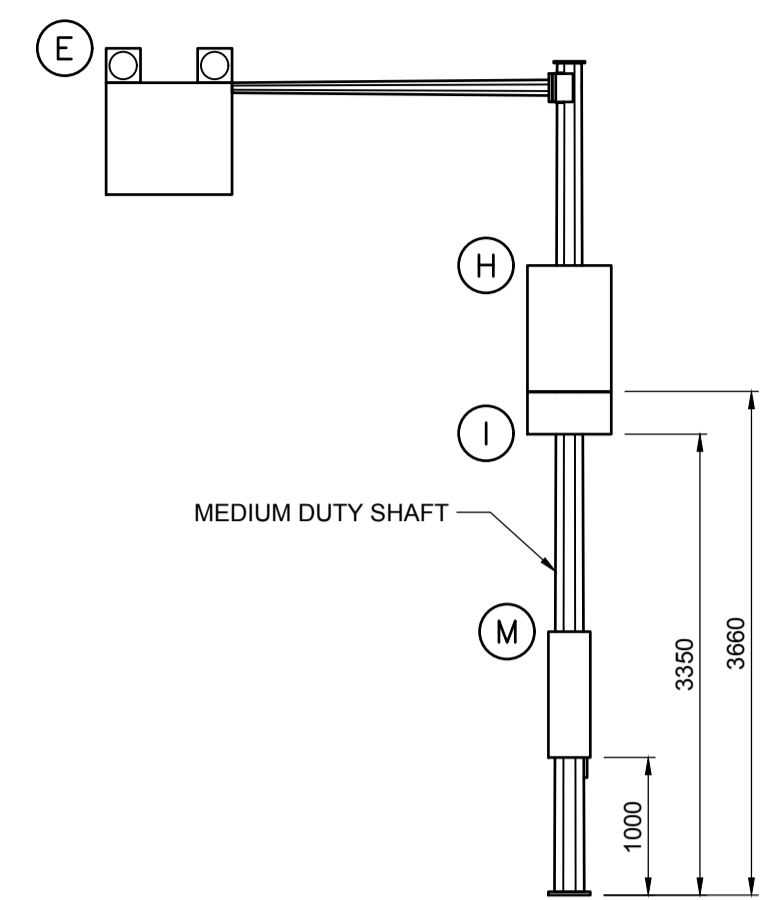
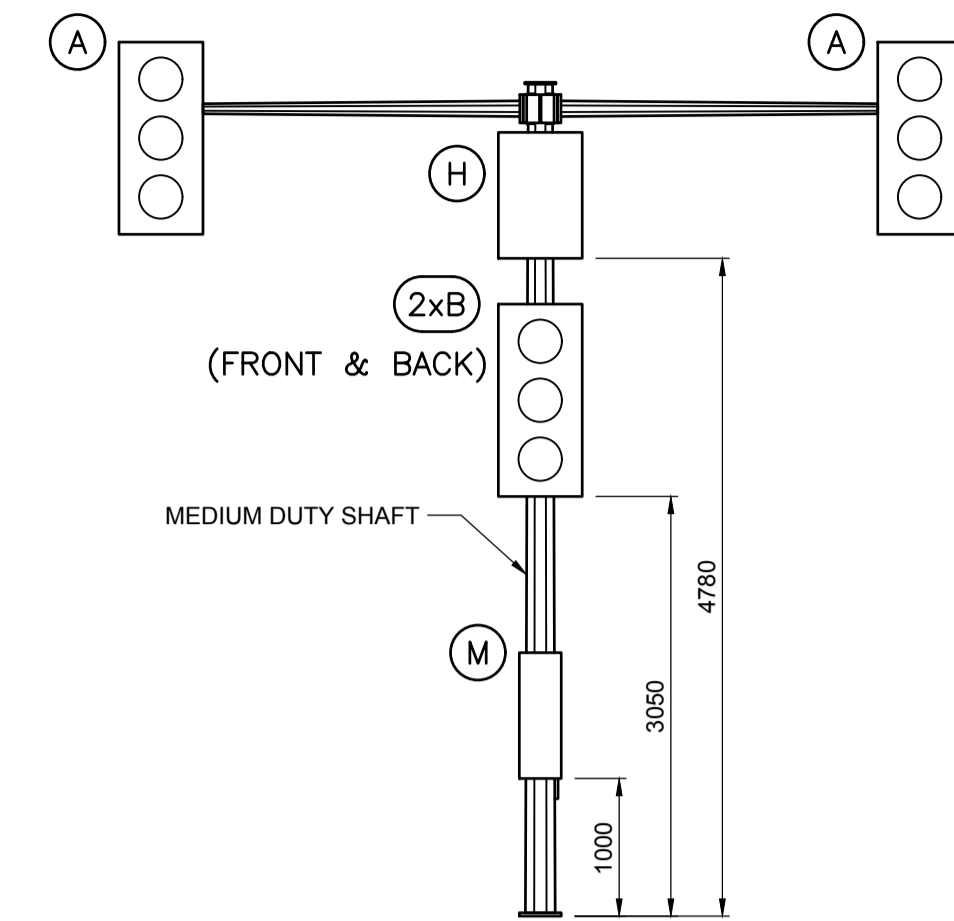


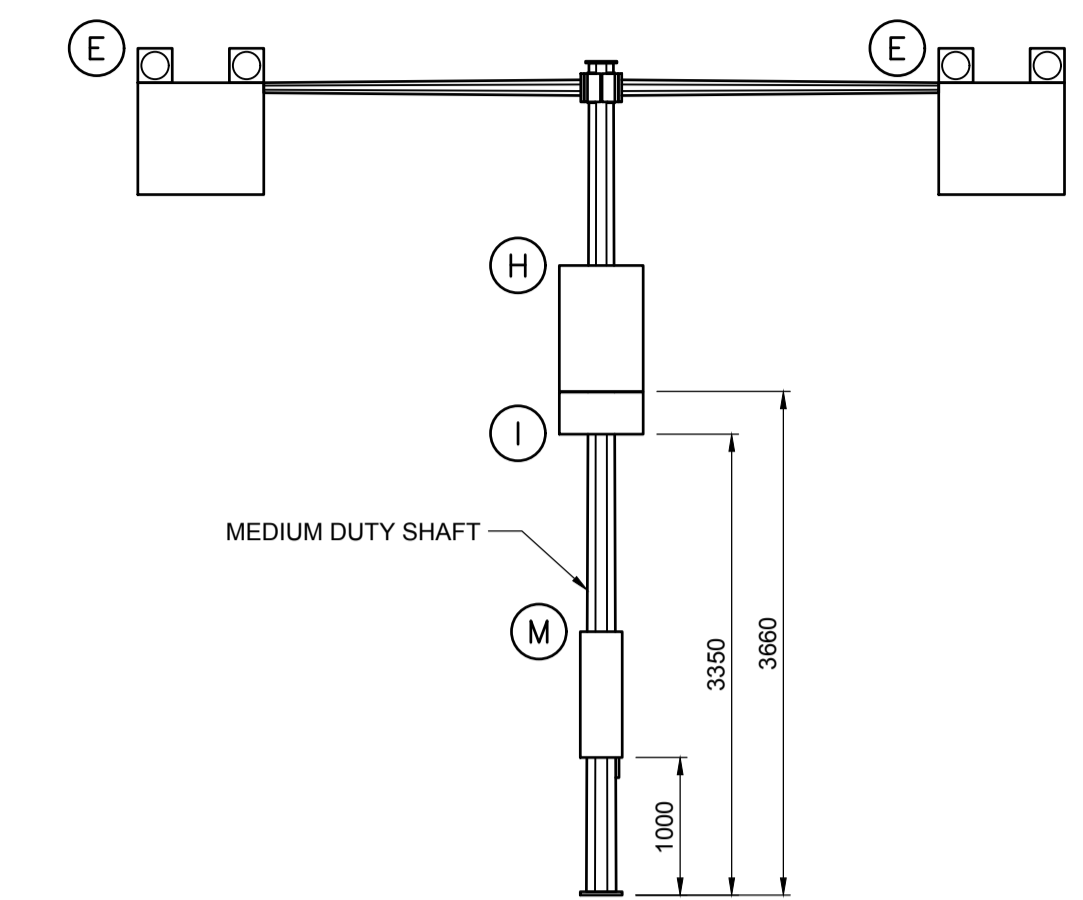
M8-Ga



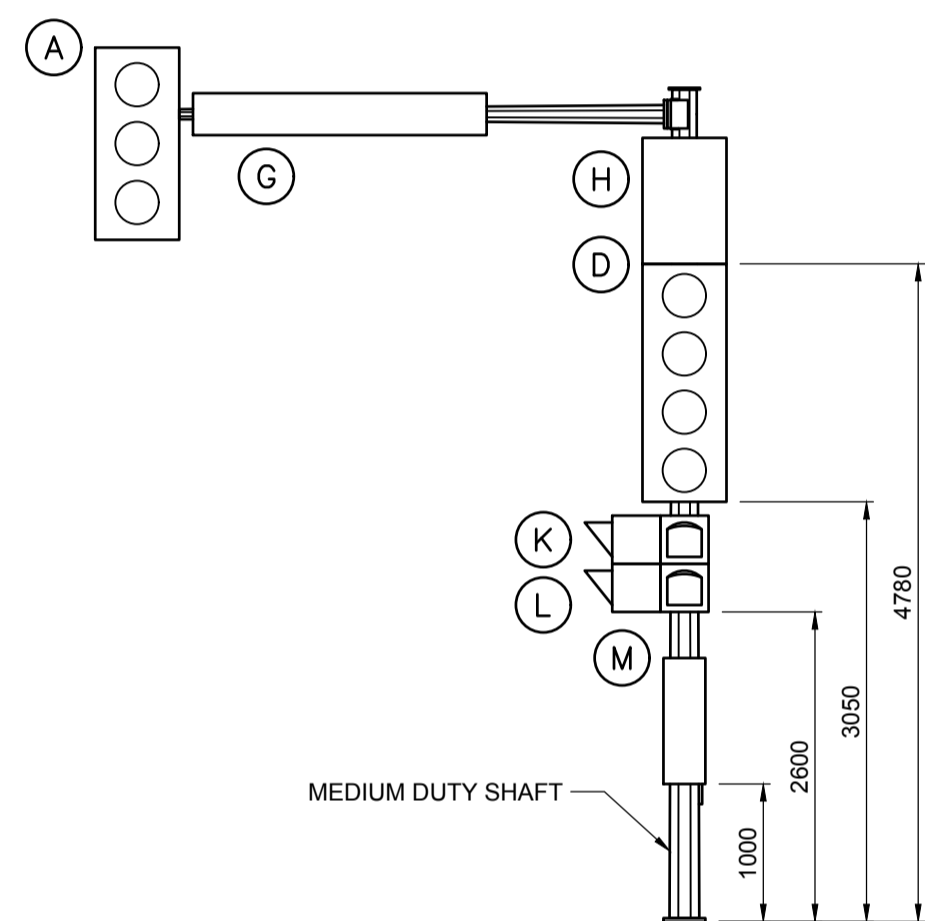
M8-Gb



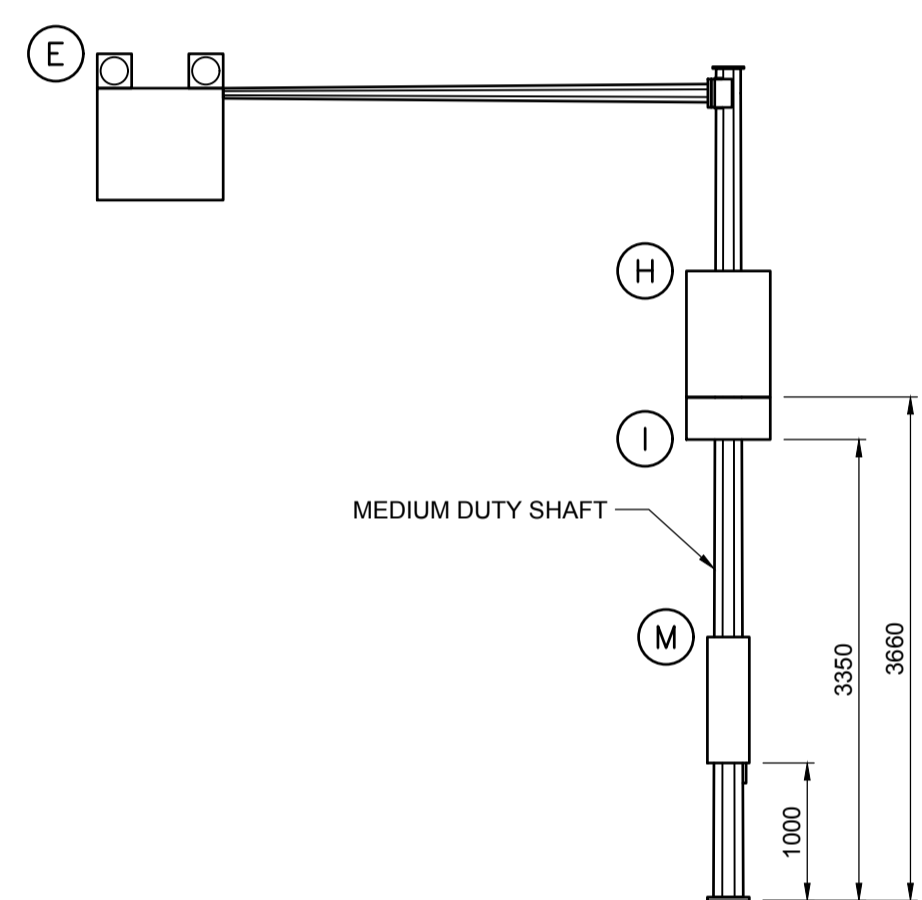
M8/8-Gc



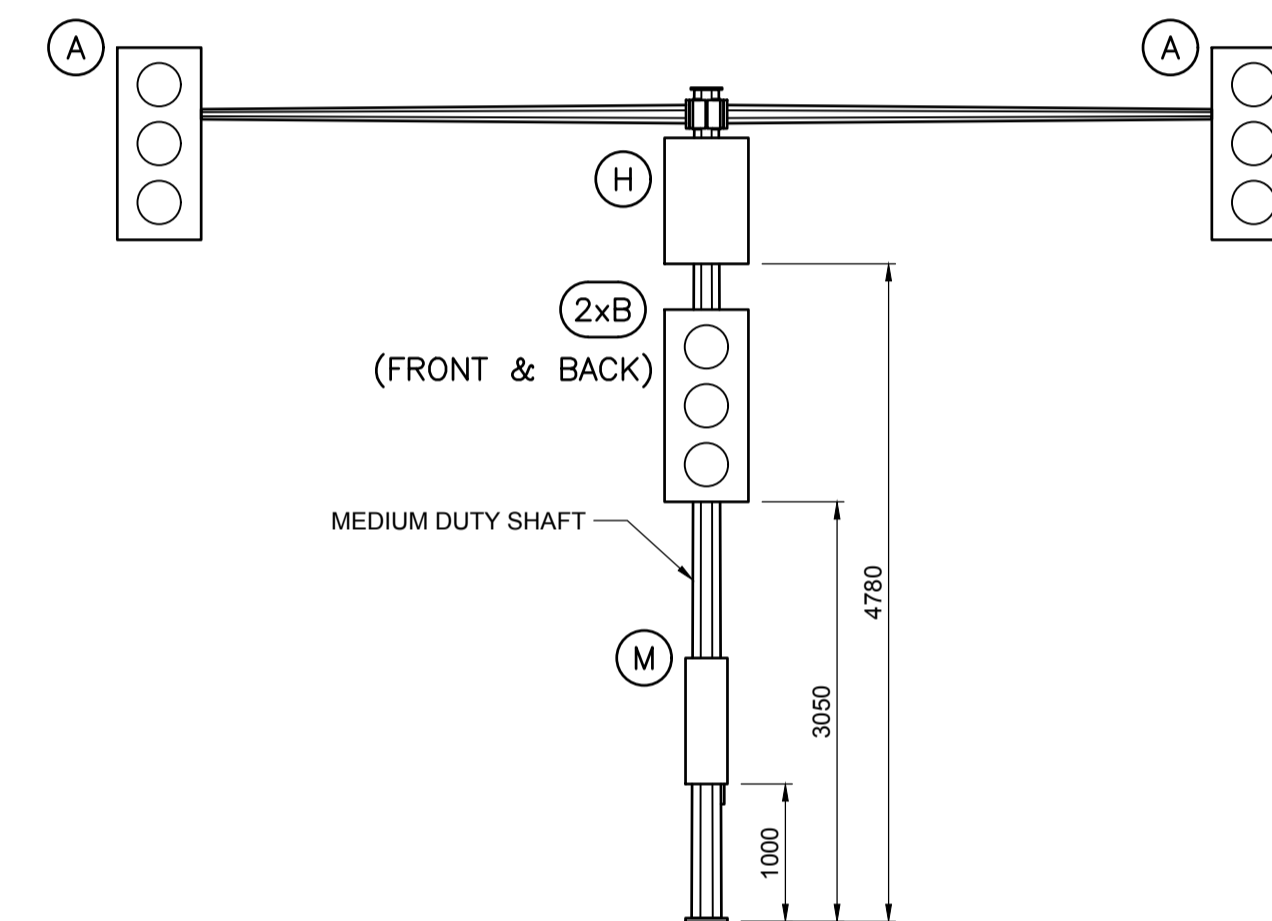
M8/8-Gd



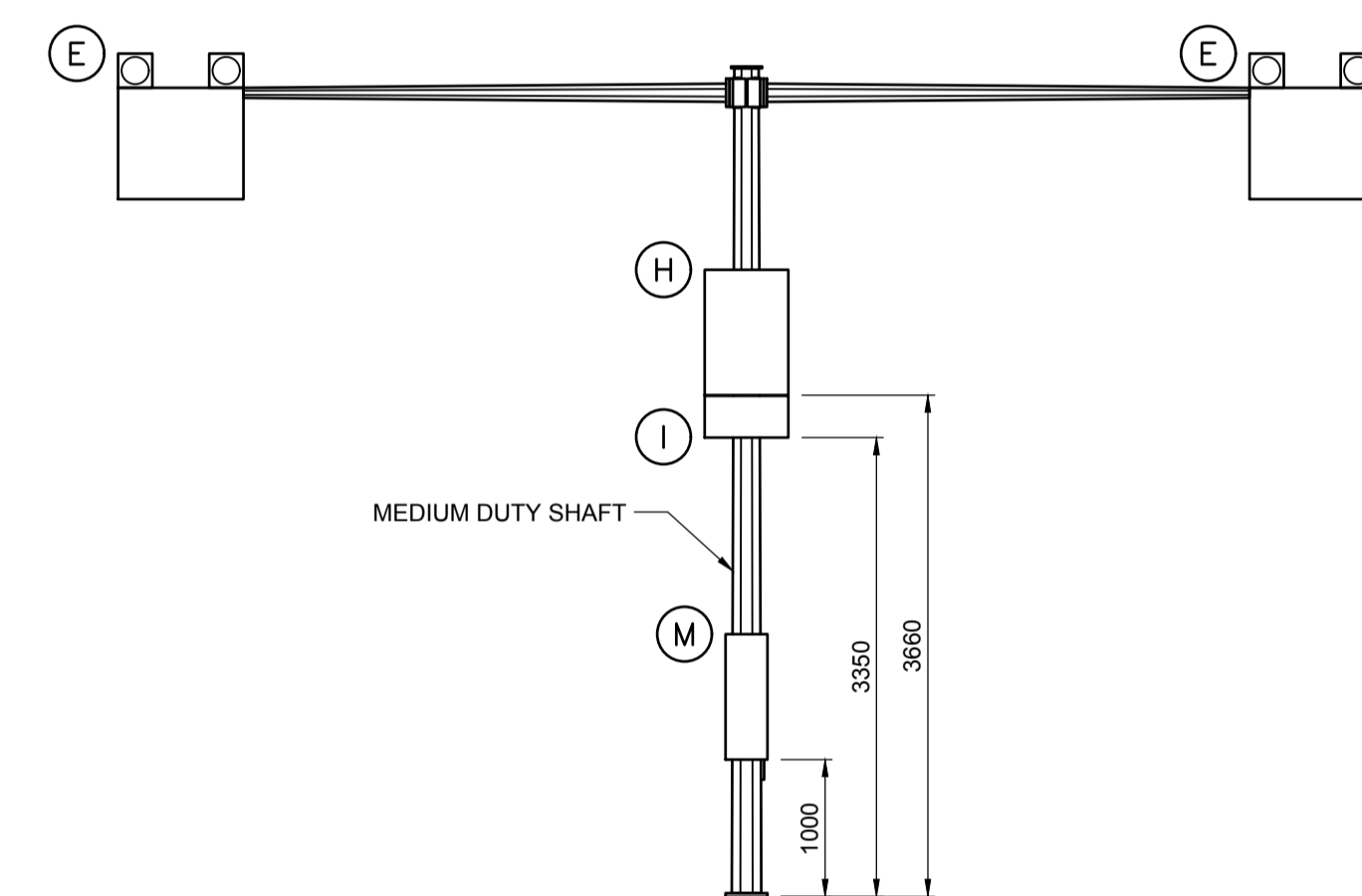
M12-Ga



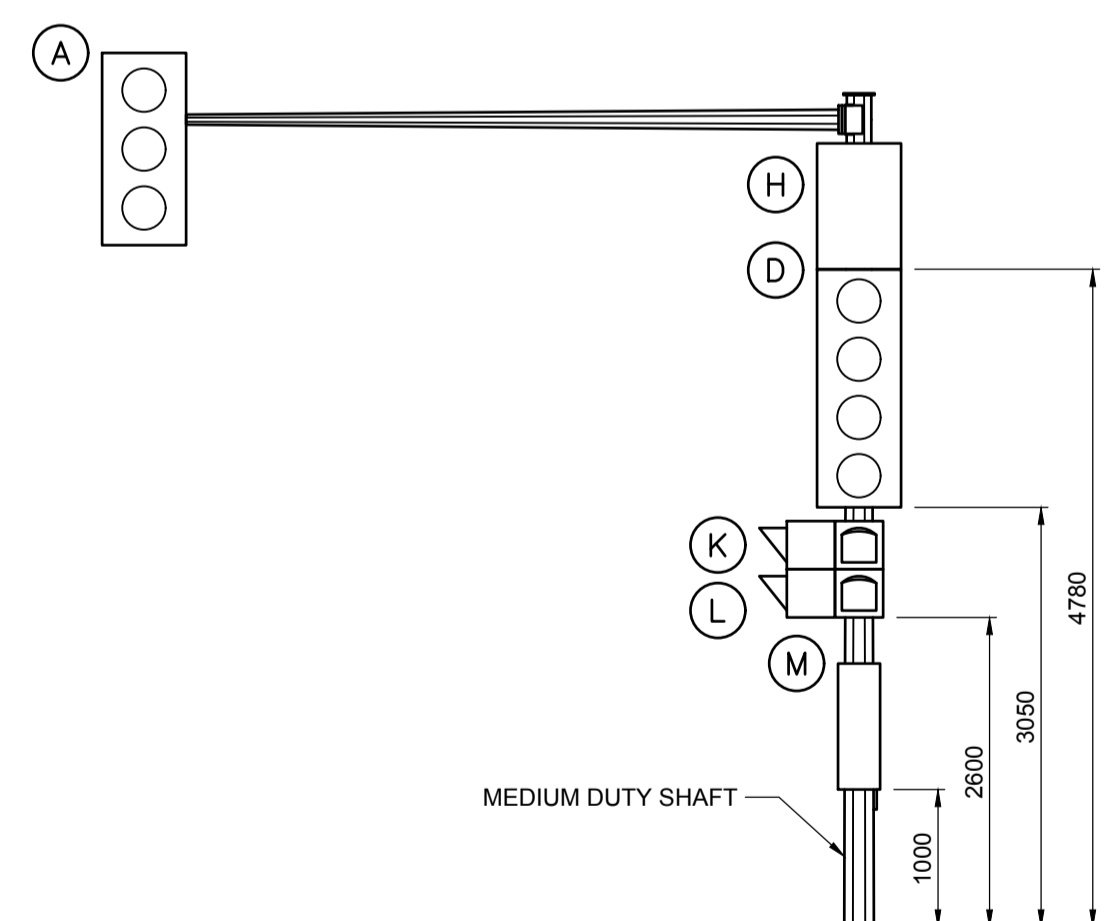
M12-Gb



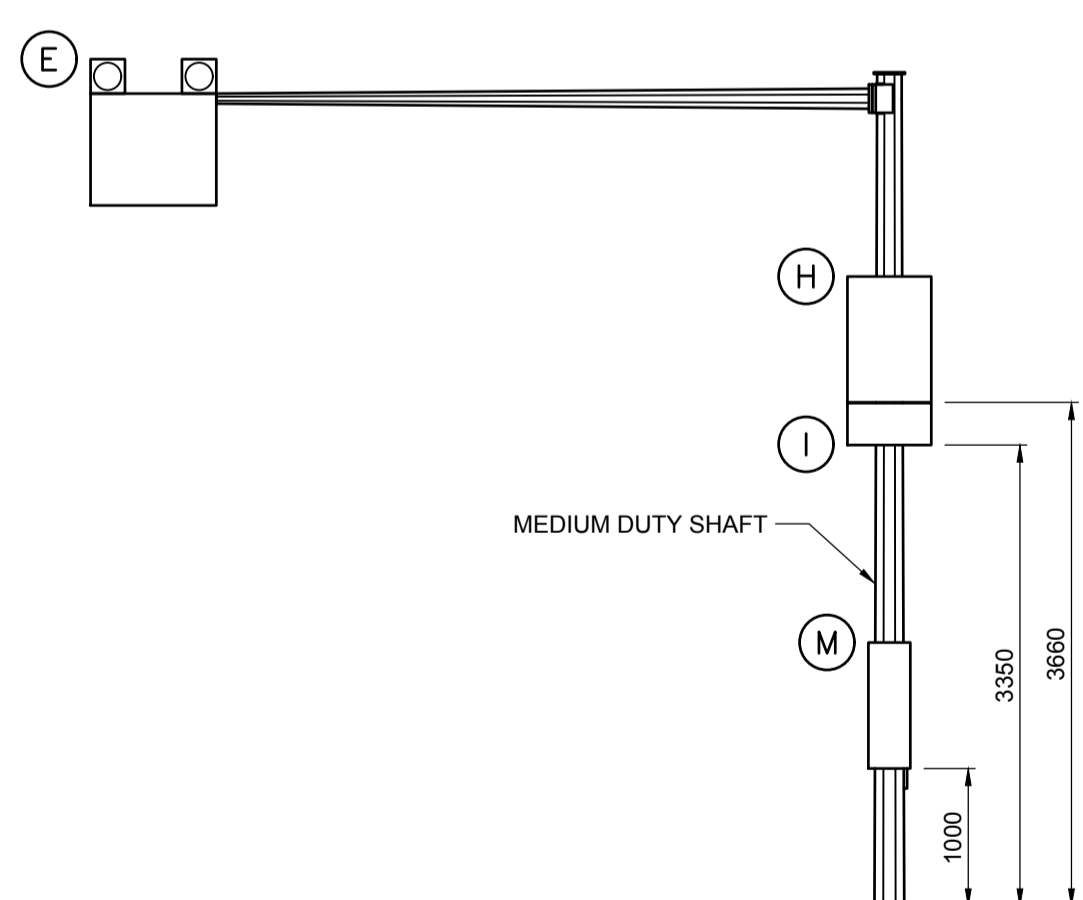
M12/12-Gc
M12/8-Gc



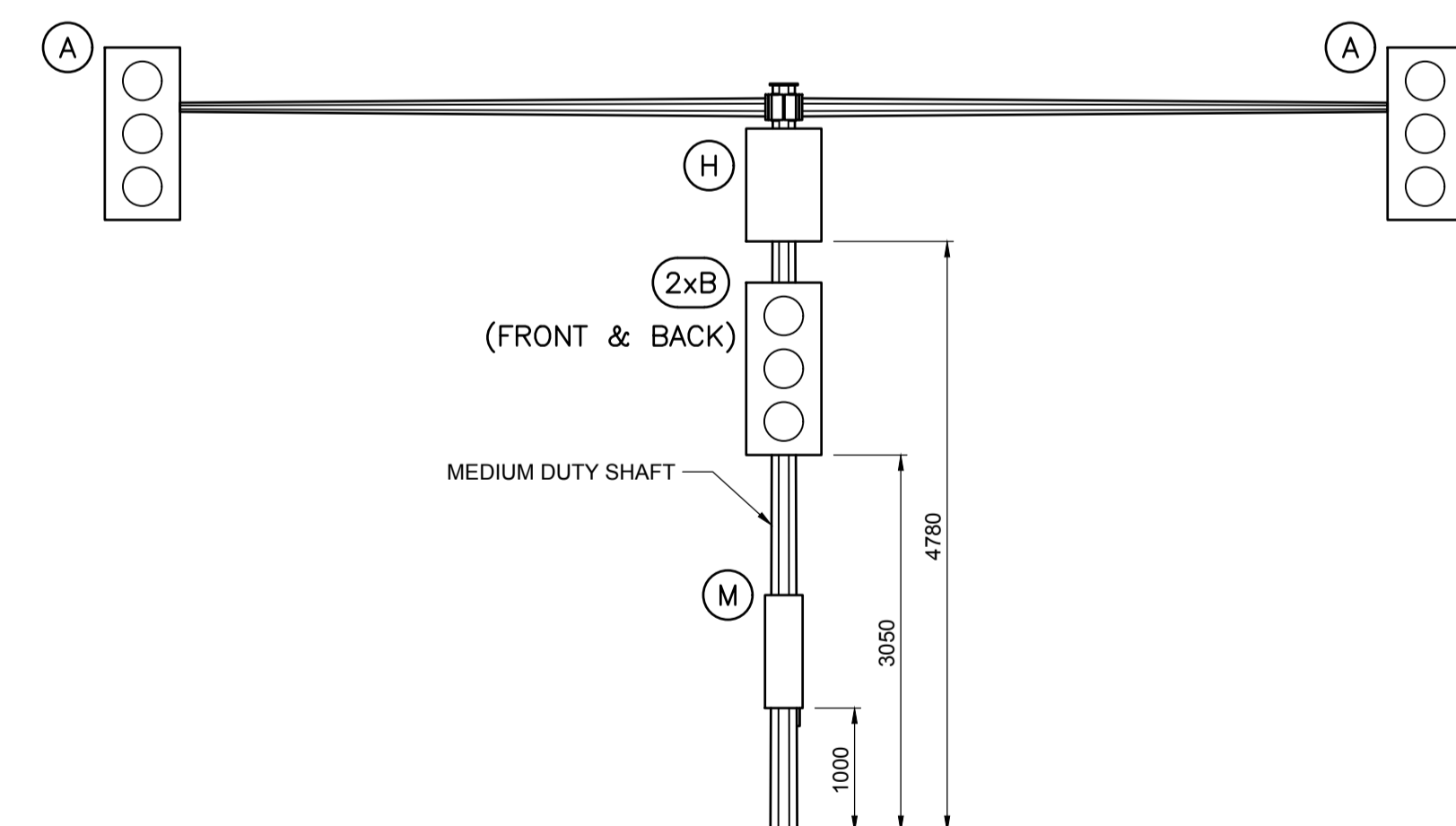
M12/12-Gd
M12/8-Gd



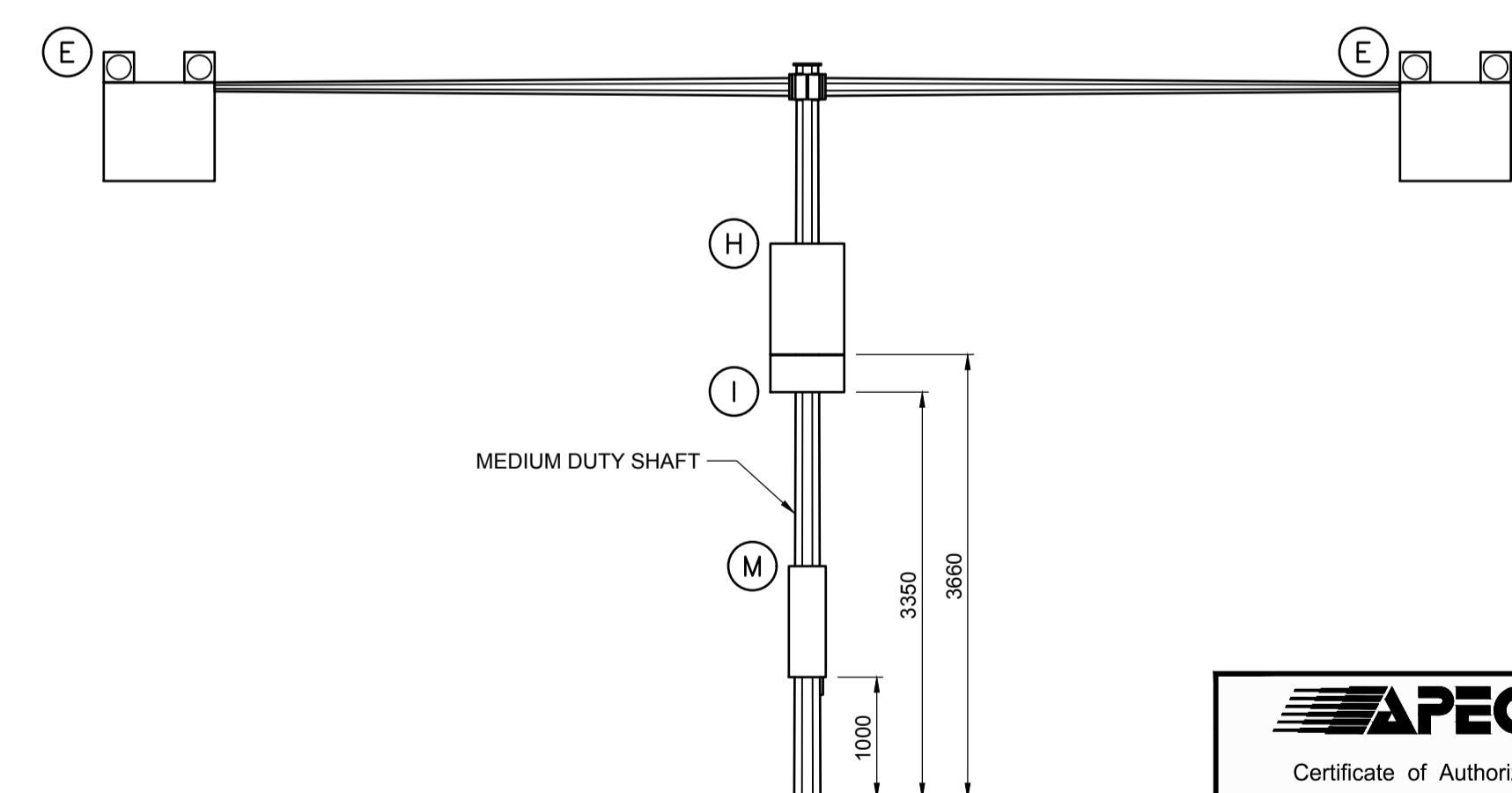
M16-Ga



M16-Gb

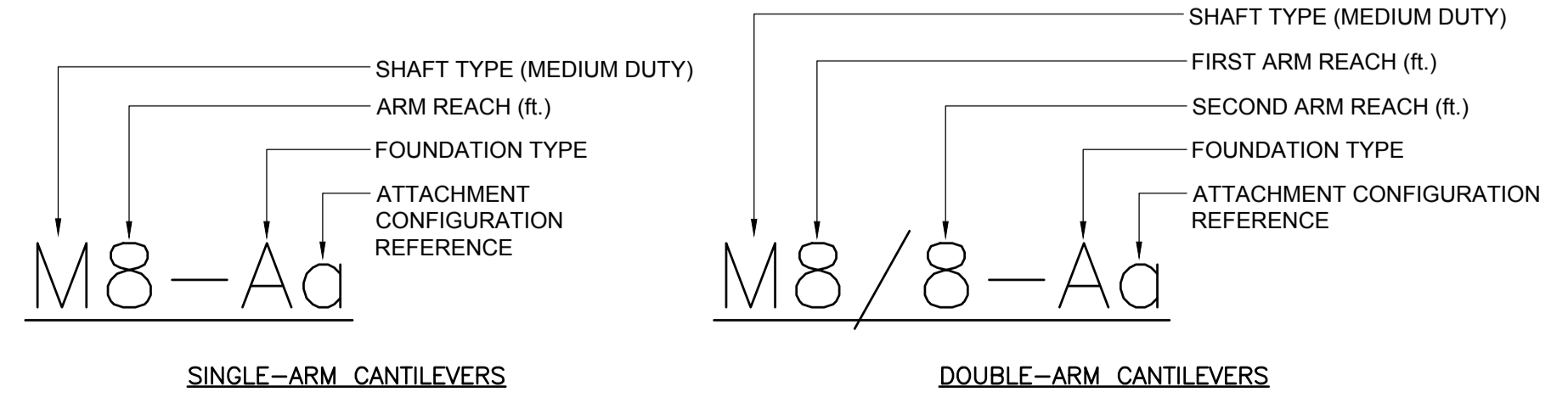


M16/16-Gc
M16/12-Gc
M16/8-Gc



M16/16-Gd
M16/12-Gd
M16/8-Gd

- NOTE:**
- ALL CONFIGURATIONS TO BE INSTALLED ON TYPE G-T BREAKAWAY BASE.
 - REFER TO SHEET 2 FOR ATTACHMENT DATA.
 - LOAD CONFIGURATIONS SHOWING SINGLE-ARM CANTILEVER ARM REACH TO THE LEFT, REACH TO THE RIGHT ALSO PERMITTED.



NAMING CONVENTION

APEGM
 Certificate of Authorization
Dillon Consulting Limited (MB)
 No. 1789 Date: JAN. 14, 2013

REDUCED DRAWING
N.T.S.

| | | | | | |
|------------|------------------------------|------------------------------|---|--|---|
| B.M. ELEV. | DESIGNED BY CDW | DILLON CONSULTING | ENGINEER'S SEAL S.S. RIHAL JAN. 14, 2013 REGISTERED PROFESSIONAL ENGINEER | THE CITY OF WINNIPEG PUBLIC WORKS DEPARTMENT | CITY DRAWING NUMBER S-SD-05 |
| | DRAWN BY JGW | | CONSULTANT PROJECT NUMBER 12-5954 | | ATTACHMENT CONFIGURATIONS FOR MEDIUM DUTY STRUCTURES - 8', 12' & 16' ARMS |
| | CHECKED BY SSR | | | RELEASED FOR CONSTRUCTION | |
| | APPROVED BY - | | HOR. SCALE NTS | | |
| 2 | REVISED BY DILLON CONSULTING | 1/10/14 | CDW | | |
| 1 | ISSUED BY DILLON CONSULTING | 1/14/13 | CDW | | |
| NO. | REVISIONS | DATE | BY | DATE | |

V:\Traffic_Signals\Projects\Coordination\Product Specification Drawings\Medium Duty Structures 8', 12', & 16' Arms.dwg